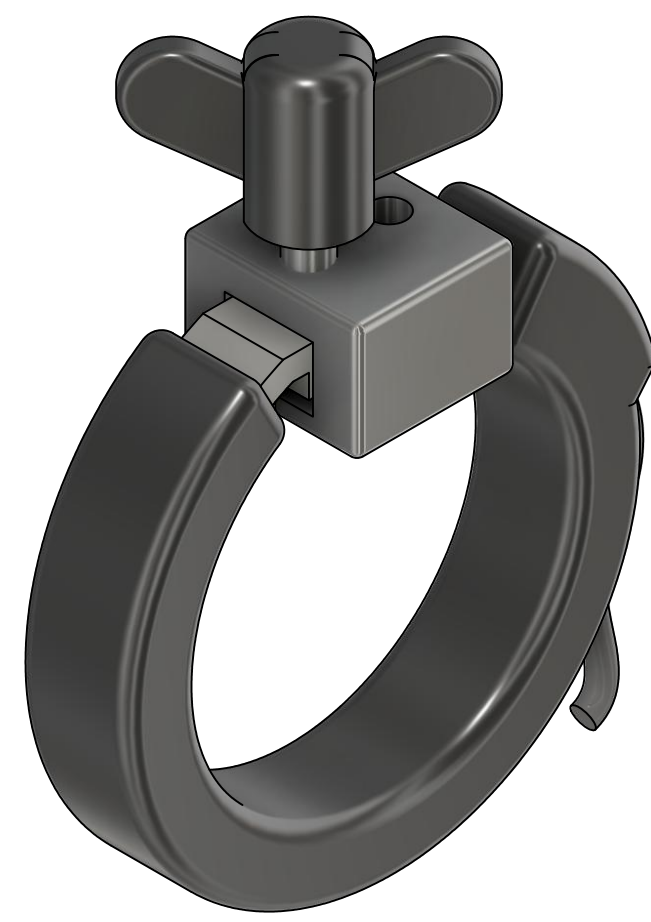
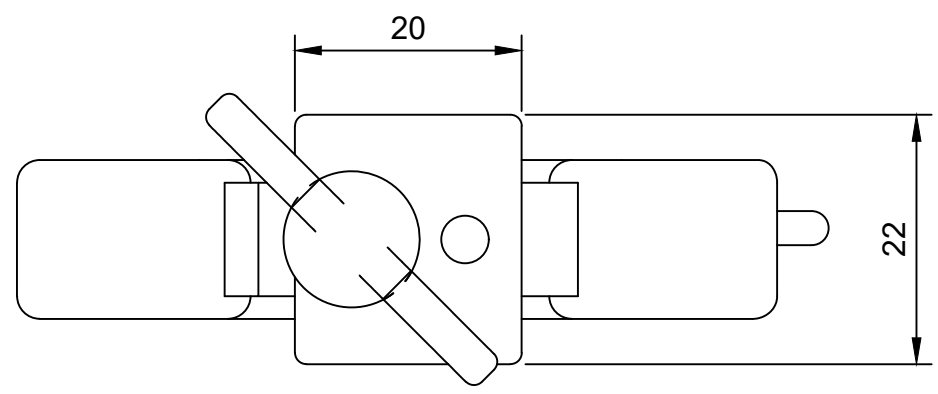
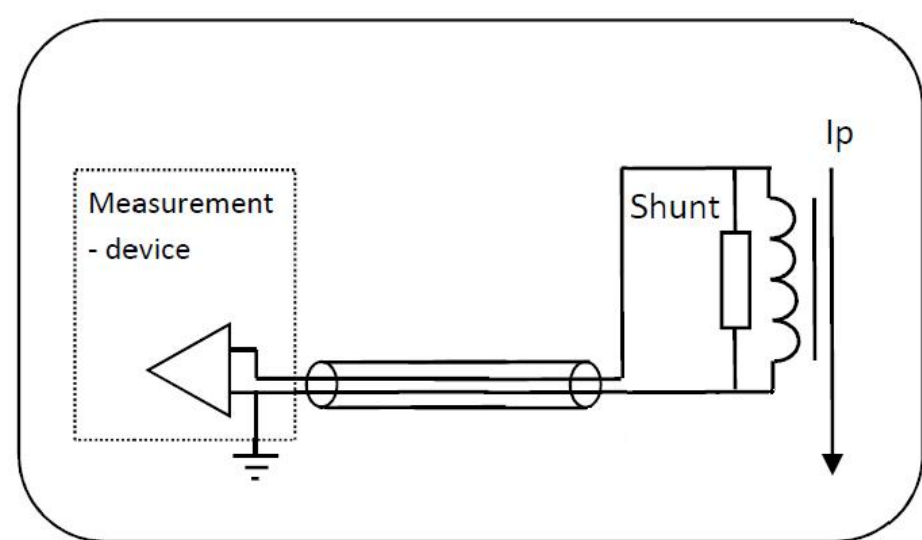


P2

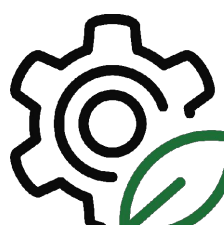
P1



Function principle:



Norm: IEC 61869-10
 Insulation level: 0,72kV/3kV/-
 Temperature category: -25/65°C
 Accuracy class:
 CI1 initial
 CI0,5 with std. corr. factor
 Ratio: 300A//225mV ext.120%
 lth: 25kA 1sec.

Dept. GWP	Technical reference	Created by W. Bacher 22.03.2021	Approved by N. Juschicz 22.03.2021
 1:1	Document type Drawing	Document status	
	Title Indoor Sensor Phase BECO	DWG No. L030T-0B	
		Rev. 0	Date of issue 22.03.2021