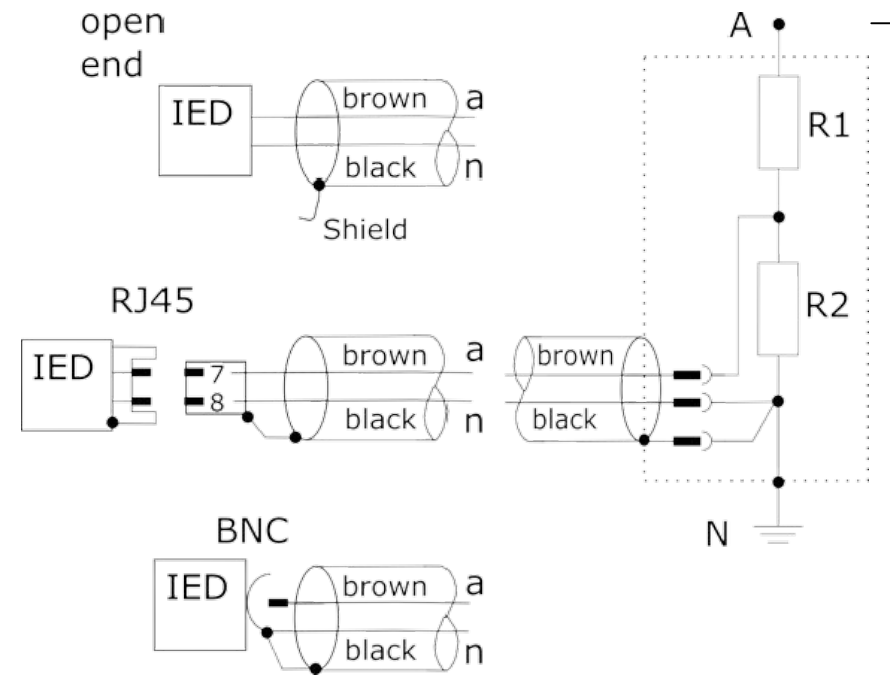
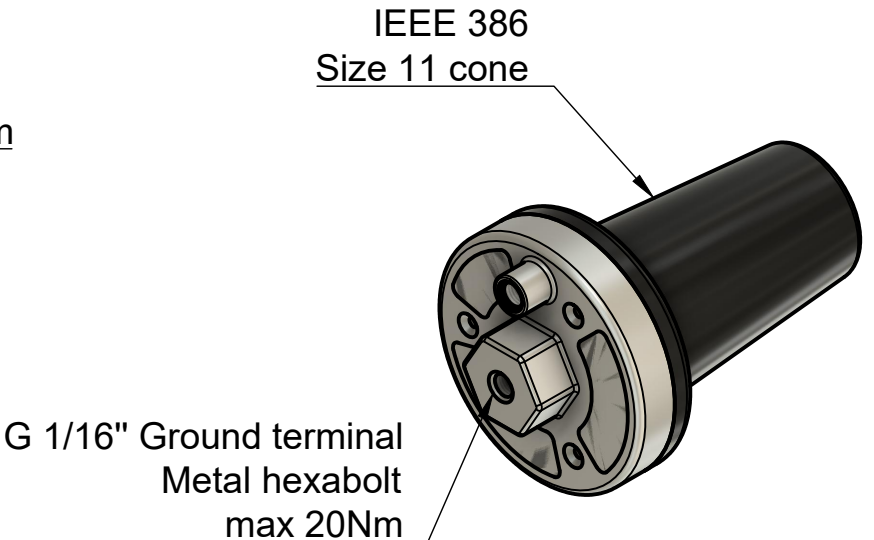
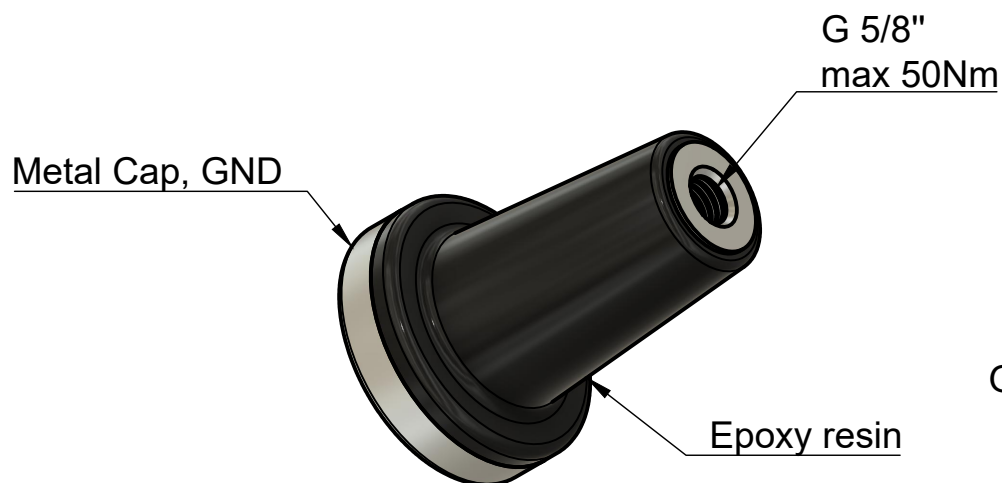
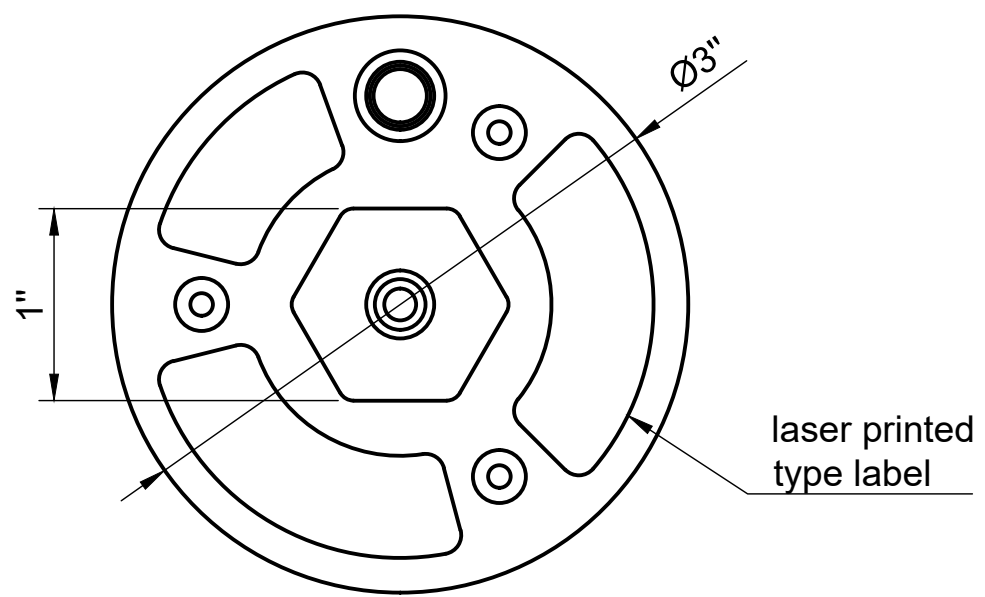
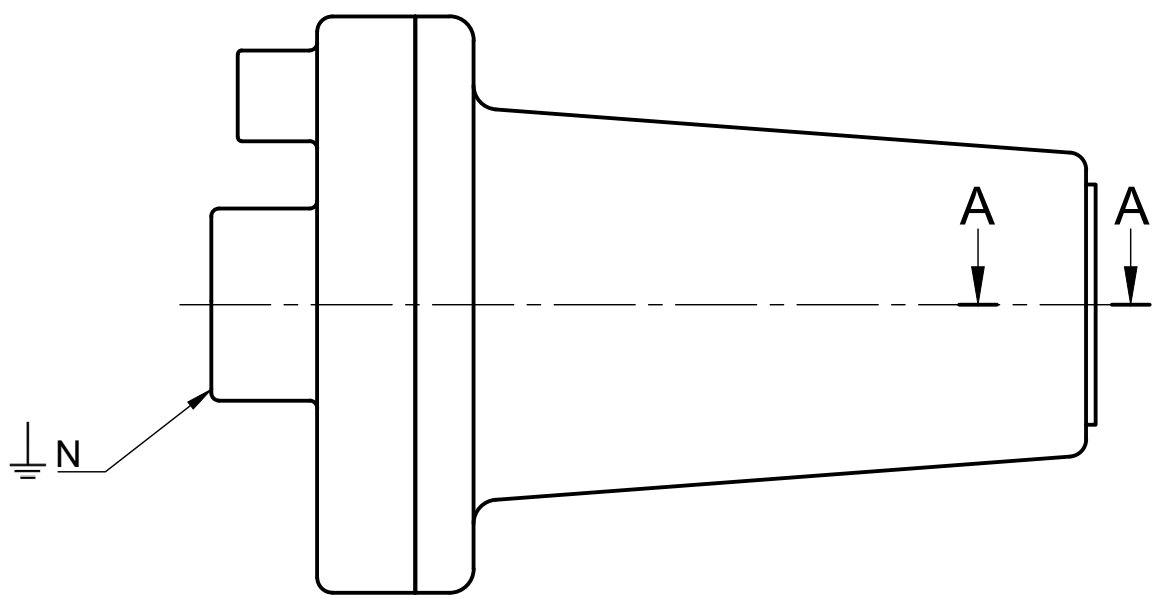
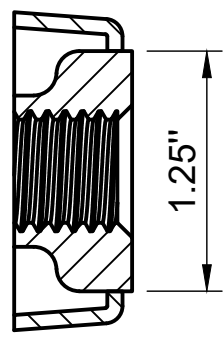


1 2 3 4 5 6 7 8

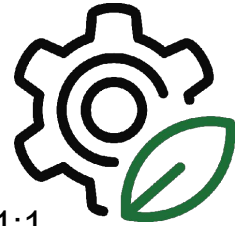
A  
B  
C  
D  
E  
F



A-A (1:1)



Standard; IEC 61869-1, IEC 61869-6, IEC 61869-11, IEEE 386  
 Insulation level; 12/28/75kV or 17,5/38/95kV or 24/50/125kV  
 IEEE 386 Voltage class: 15kV, 25kV, 28kV  
 Primary voltage; max.  $20/\sqrt{3}$ kV  
 Secondary voltage;  $3,25/\sqrt{3}$ V\*  
 Frequency; 50/60Hz  
 Harmonics; Up to 150kHz on request  
 Burden; 200kΩ // 350pF or 2MΩ // 50pF\*  
 Accuracy class 1; 0,2/0,5 and 3P/6P @-25°C to 70°C  
 Accuracy class 2; 1 and 3P/6P @-40°C to 80°C  
 Storage temperature range; -40°C to 80°C  
 \*... or customer defined

Dept. GWP	Technical reference	Created by Martin Bakaracs 28.03.2023	Approved by Daniel Manninger 28.03.2023
 A3/1:1		Document type Drawing	Document status released
		Title DWG No. <b>VxxxAE</b>	
		Rev.	Date of issue
		Sheet 1/1	

1 2 3 4 5 6 7 8