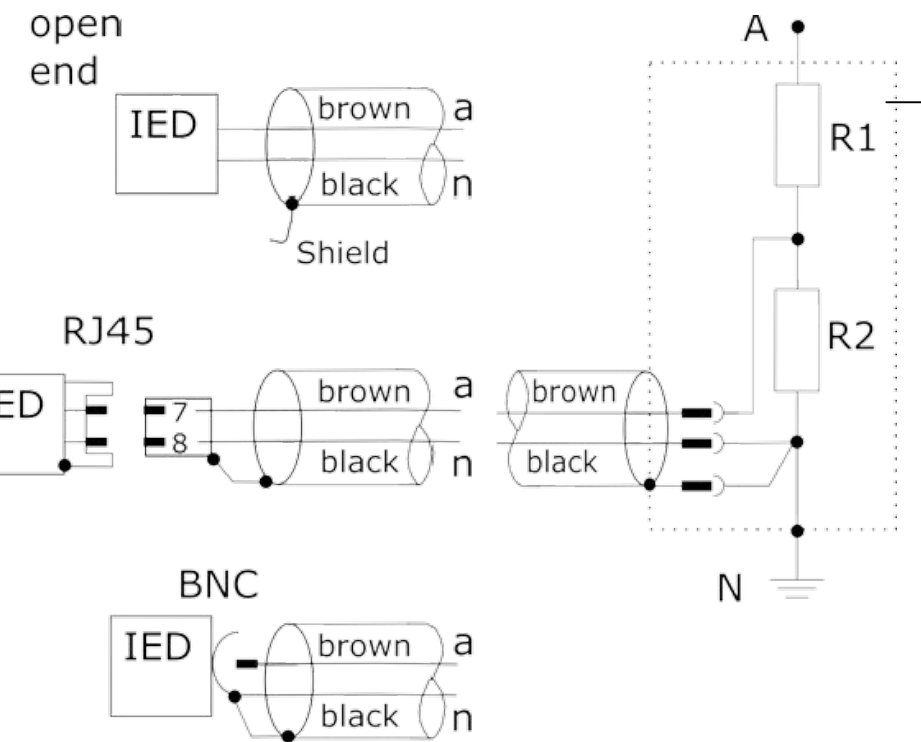
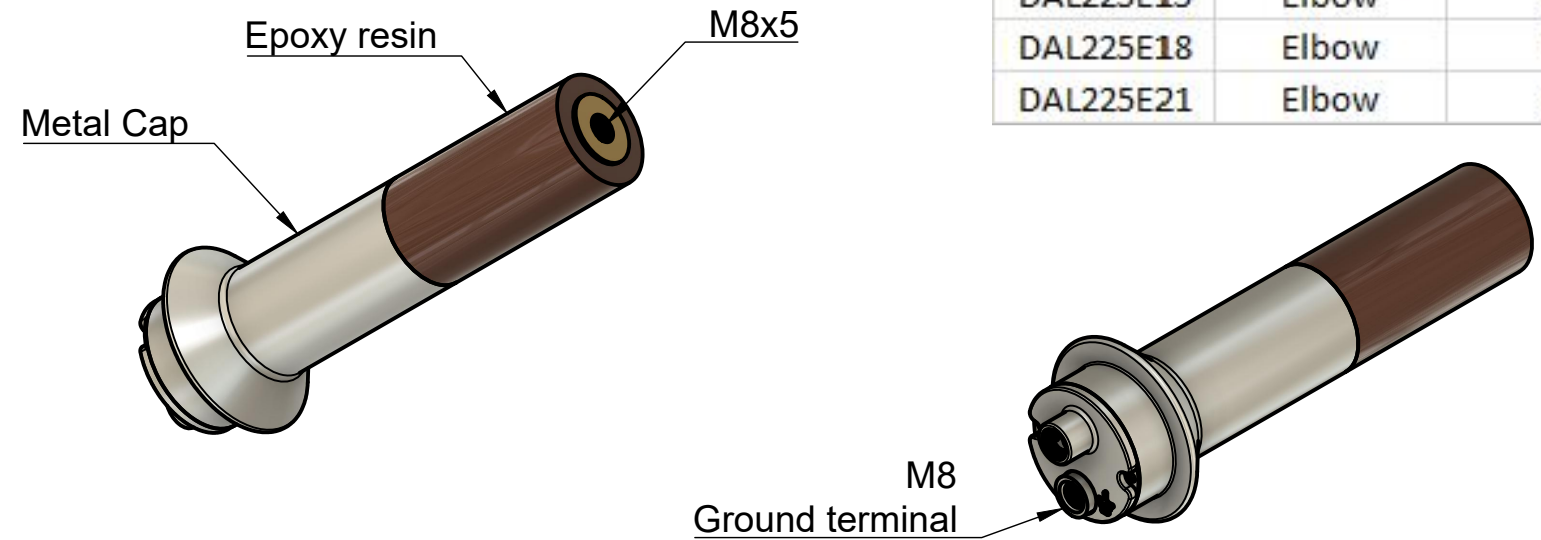
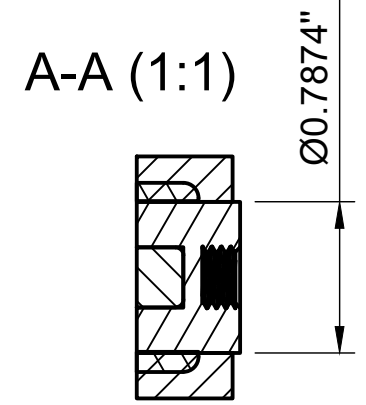


Part number	Arrester type	Voltage class
DAL215E12	Elbow	15
DAL215E15	Elbow	15
DAL215E18	Elbow	15
DAL225E12	Elbow	25
DAL225E15	Elbow	25
DAL225E18	Elbow	25
DAL225E21	Elbow	25



Standard; IEC 61869-1, IEC 61869-6, IEC 61869-11, IEEE 386  
 Insulation level; 12/28/75kV or 17,5/38/95kV or 24/50/125kV  
 or IEEE 386 Voltage class: 15kV, 25kV, 28kV  
 Primary voltage; max.  $20/\sqrt{3}$ kV  
 Secondary voltage;  $3,25/\sqrt{3}$ V\*  
 Frequency; 50/60Hz  
 Harmonics; Up to 150kHz on request  
 Burden;  $200\text{k}\Omega // 350\text{pF}$  or  $2\text{M}\Omega // 50\text{pF}$ \*  
 Accuracy class 1; 0,2/0,5 and 3P/6P @-25°C to 70°C  
 Accuracy class 2; 1 and 3P/6P @-40°C to 80°C  
 Storage temperature range; -40°C to 80°C  
 \*... or customer defined



Dept. GWP	Technical reference	Created by Martin Bakaracs 28.03.2023	Approved by Daniel Manninger 28.03.2023
	Document type Drawing	Document status released	
	Title	DWG No. VxxxAQ	
		Rev.	Date of issue
A3/1:1			Sheet 1/1