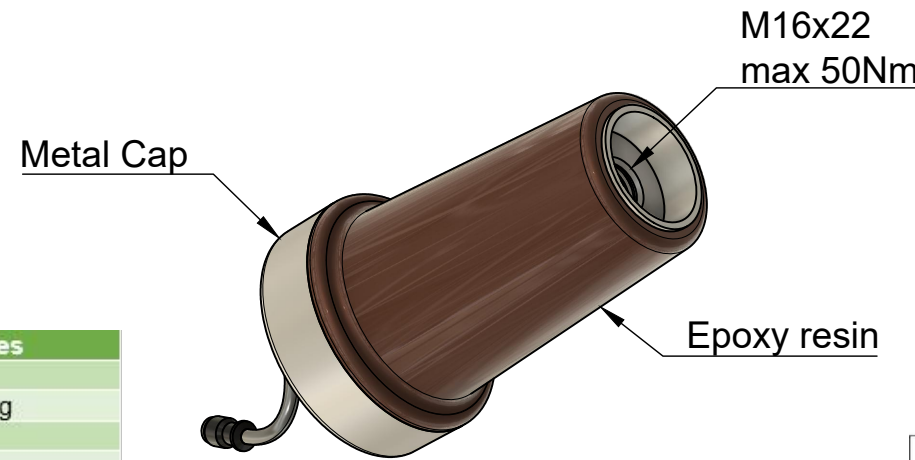
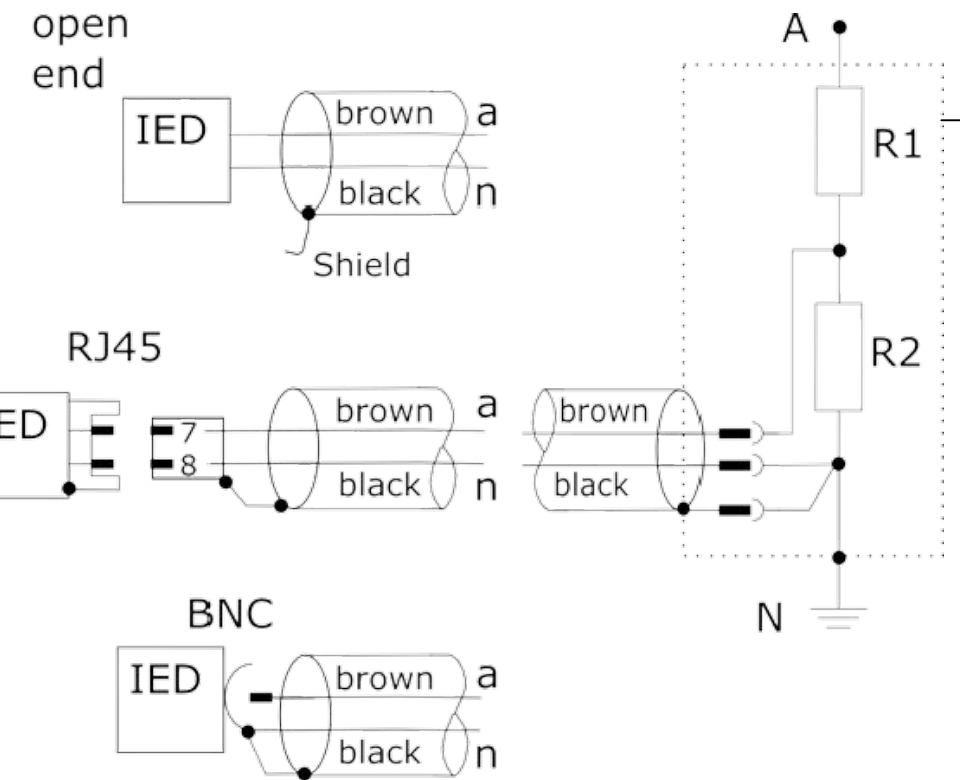


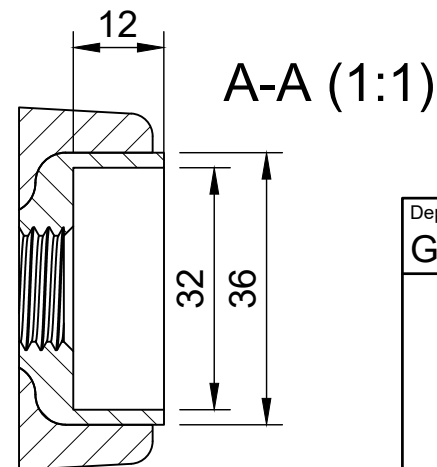
M8 ground terminal hexabolt max 20Nm

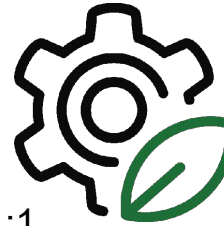


	Connections	TxxxC-xx (Type C-cone)	Accessories
Nexans*	T-connector	(K)400TB/G, (K)440TB/G	
	Transformer adapter	KAA4	Adapter ring
	Surge arrester	400PB-5SA, 400PB-10SA	
Südkabel	T-connector	SEHDT 13, SEHDT 23	
	Surge arrester	MUT33 <sup>1</sup>	
Cellpack*	T-connector	CTS-S 630 A 24kV	
NKT	CB24 adapter	Sensor adapter	M12-M16 adapter



Standard; IEC 61869-1, IEC 61869-6, IEC 61869-11  
 Insulation level; 12/28/75kV or 17,5/38/95kV or 24/50/125kV  
 Primary voltage; max.  $20/\sqrt{3}$ kV  
 Secondary voltage;  $3,25/\sqrt{3}$ V\*  
 Frequency; 50/60Hz  
 Harmonics; Up to 150kHz on request  
 Burden;  $200\text{k}\Omega // 350\text{pF}$  or  $2\text{M}\Omega // 50\text{pF}$ \*  
 Accuracy class 1; 0,2/0,5 and 3P/6P @ -25°C to 70°C  
 Accuracy class 2; 1 and 3P/6P @ -40°C to 80°C  
 Storage temperature range; -40°C to 80°C  
 \*... or customer defined



Dept. GWP	Technical reference	Created by Martin Bakaracs 17.05.2023	Approved by Michael Waschek 17.05.2023
 A3/1:1	Document type Drawing	Document status released	
	Title Indoor Voltagesensor C-Cone Type	DWG No. VxxxC-xx	
Rev. 0	Date of issue	Sheet 1	