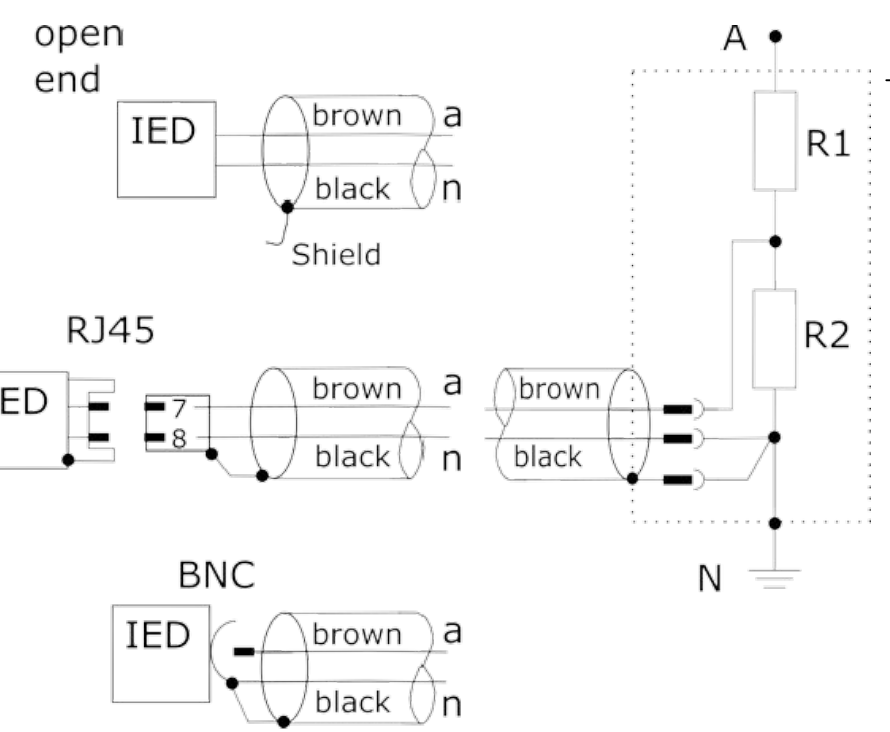
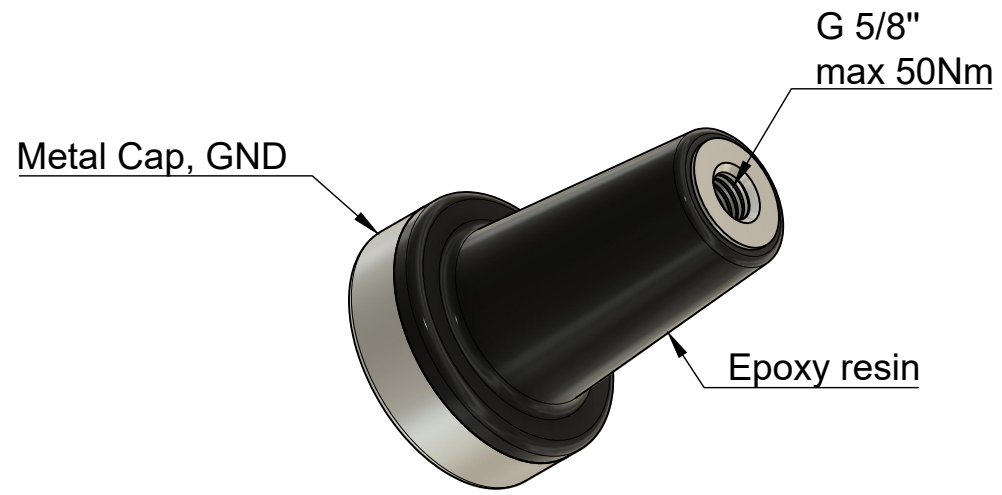
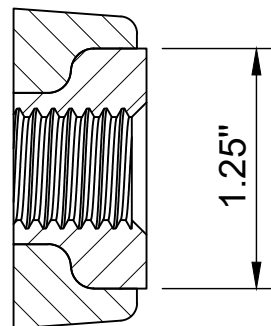


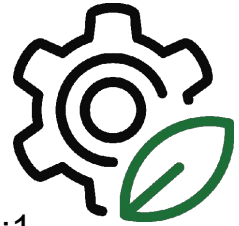
G 1/16" ground terminal  
metal hexabolt  
max 20Nm



A-A (1:1)



Standard; IEC 61869-1, IEC 61869-6, IEC 61869-11, IEEE 386  
 Insulation level; 24/50/125kV or 17,5/38/95kV or 24/50/125kV  
 IEEE 386 Voltage class: 15kV, 25kV, 28kV  
 Primary voltage; max.  $20kV/\sqrt{3}$   
 Secondary voltage;  $3,25/\sqrt{3}V$  \*  
 Harmonics; Up to 150kHz on request  
 Burden; 200kΩ // 350pf or 2MΩ // 50pF \*  
 Accuracy class 1; 0,2/0,5 and 3P/6P @-25°C to 70°C  
 Accuracy class 2; 1 and 3P/6P @-40°C to 80°C  
 Storage temperature range; -40°C to 80°C  
 \*... or customer defined

Dept. GWP	Technical reference	Created by Martin Bakaracs 25.07.2023	Approved by Michael Waschek 25.07.2023
 A3/1:1	Document type Drawing	Document status released	
	Title Indoor Voltagesensor IEEE 386 size 11	DWG No. VxxxAE	
	Rev.	Date of issue	Sheet