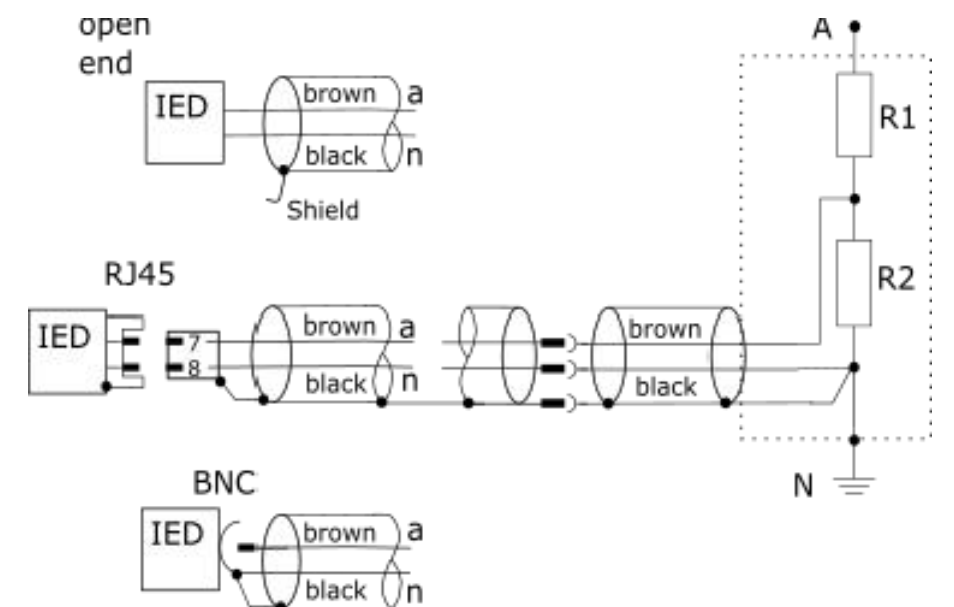



Height table	X
12kV	170mm
24kV	210mm
36kV	280mm



Standard; IEC 61869-1, IEC 61869-6, IEC 61869-11
 Insulation level; 12/28/75kV or 17,5/38/95kV or 24/50/125kV or 36/70/170kV
 Primary voltage; max. $30/\sqrt{3}$ kV
 Secondary voltage; $3,25/\sqrt{3}$ V*
 Frequency; 50/60Hz
 Harmonics; Up to 150kHz on request
 Burden; 200kΩ // 350pF or 2MΩ // 50pF*
 Accuracy class 1; 0,2/0,5 and 3P/6P @-25°C to 70°C
 Accuracy class 2; 1 and 3P/6P @-40°C to 80°C
 Storage temperature range; -40°C to 80°C
 *... or customer defined

Dept. GWP	Technical reference	Created by Martin Bakaracs 01.02.2023	Approved by Daniel Manninger 01.02.2023
 A3 / 1:2		Document type Drawing	Document status released
		Title Air Insulated Voltage Sensor	DWG No. VxxxL-xx
		Rev.	Date of issue
		Sheet 1/1	