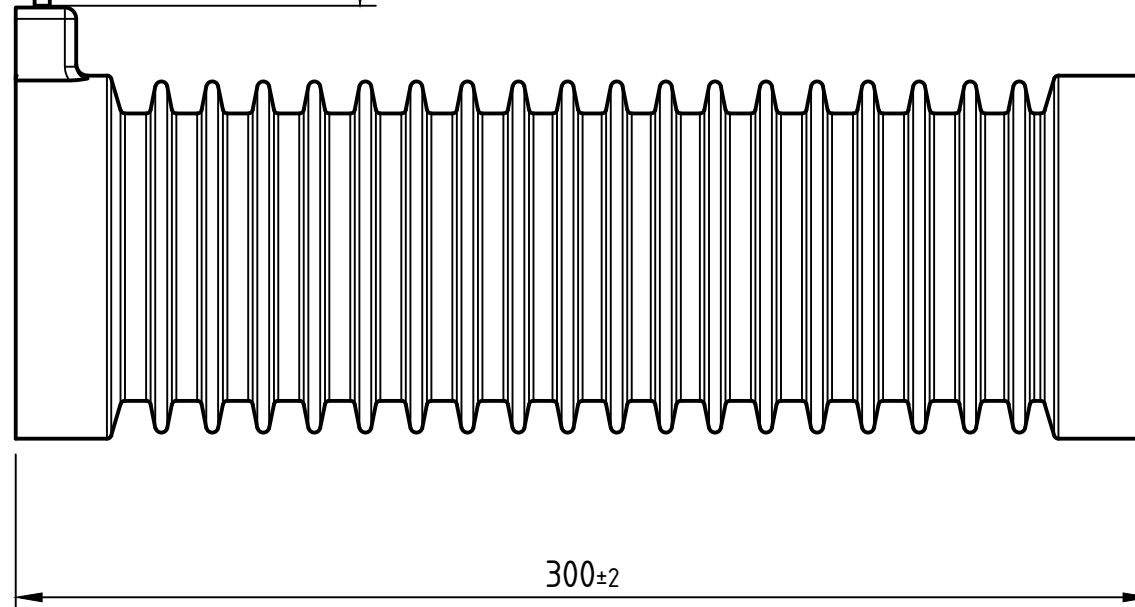
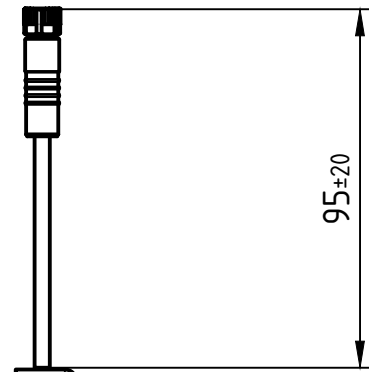
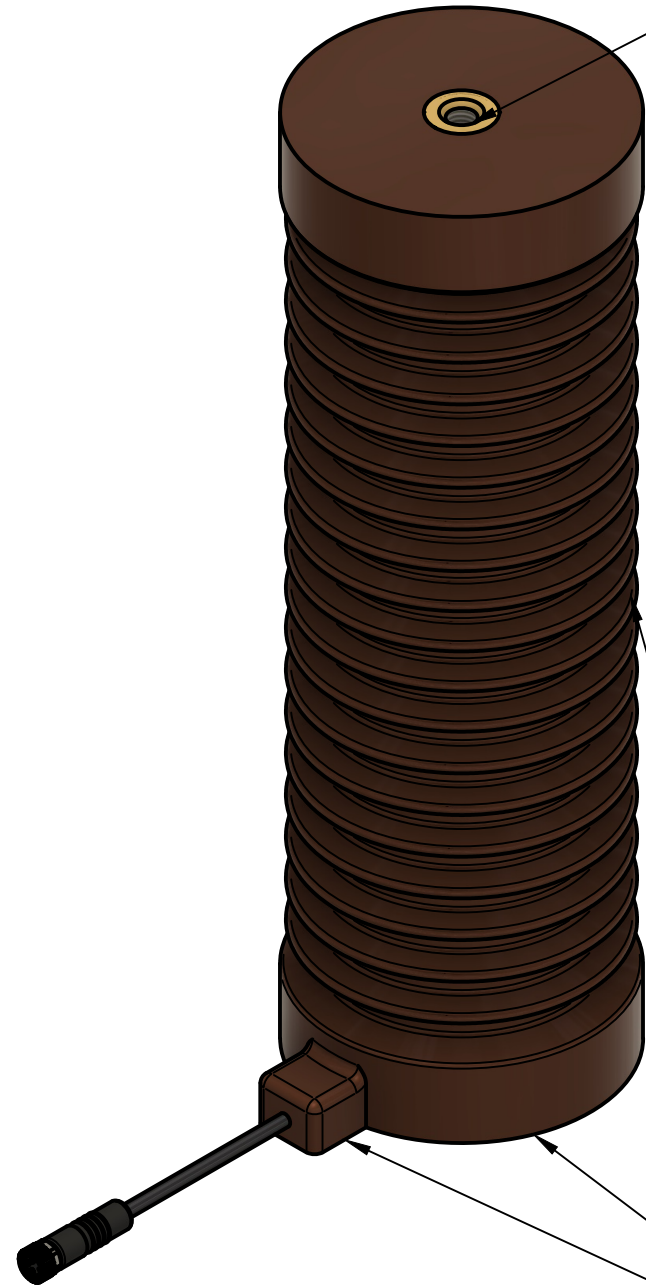
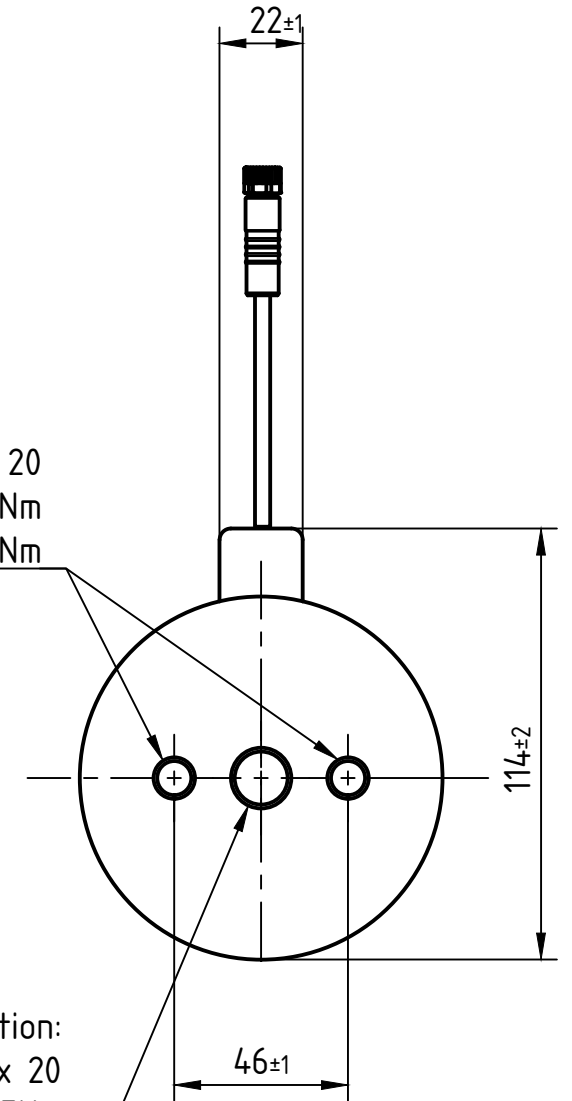


Primary contact:
M10 x 20
torque: 25Nm
max. 50Nm



M10 x 20
torque: 15Nm
max. 20Nm




Ground connection:
M16 x 20
torque: 15Nm
max. 20Nm

Epoxy casting residues may occur:
Sharp edges, burrs, flashes and fins

Indoor Voltage Sensor for Support Mounting
Support Insulator 36kV Shape
IEC 61869-1, IEC 61869-11
BIL: 36 / 70 / 170 kV IEC Standard
also applicable to:
BIL: 35 / 50 / 150 kV IEEE Std. 286
BIL: 36 / 80 / 170 kV Eaton Std.

respective product codes:
V360L V350L, V365L, V380L

Departement R&D	Technical reference Insulator 36kV	Created by Markus Hollenstein 2/26/2026	Approved by Daniel Manninger 2/27/2026
 <small>©2026 intellectual property of Greenwood-Power GmbH, Austria</small>		Document type technical drawing	Document status released
		Title Support Insulator Shape 36kV universal technical drawing	File name/ version V360L universal v8
		ABAS No. n.a.	Scale 1:2
			Sheet 1/1